

LEVEL  
1

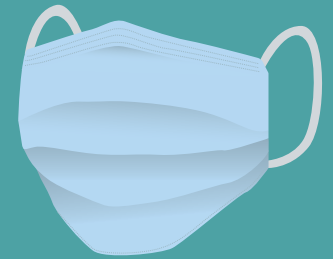


*American Patriot Masks*

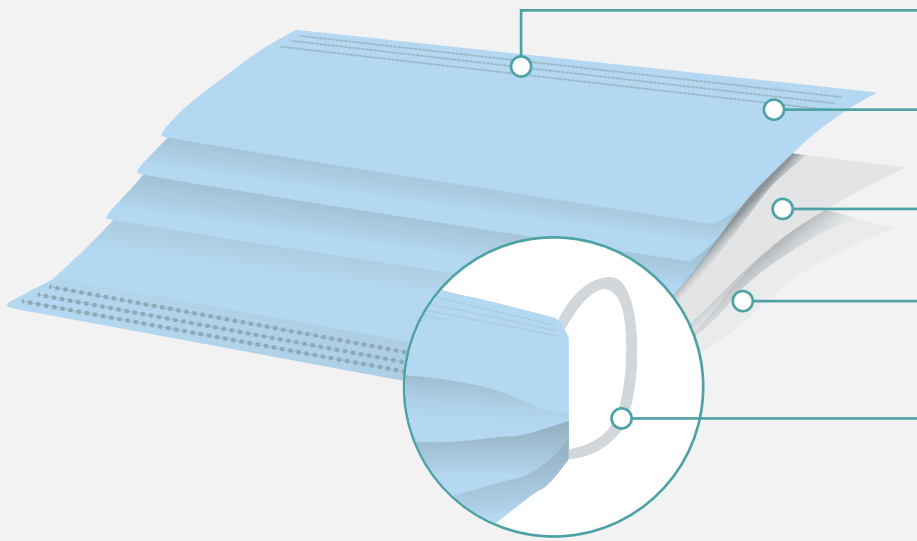
# CHILD SIZE FACE MASK

## PHYSICAL CONFIGURATION AND DESCRIPTION

- 3 layers of non-woven spunbond and meltblown media combined with nose bridge and two ear loops
- Mask Dimension: 145mm x 85mm



## MATERIALS



### NOSE PIECE

Plastics coated, iron core for customizable fit

### BLUE SPUNBOND OUTER LAYER

for distinction and protection

### MELTBLOWN INNER LAYER

for optimal filtration and breathability

### WHITE SPUNBOND INNER LAYER

for softness and comfort

### EARLOOPS

crafted from 70% polyester and 30% spandex material for comfort and versatility

## COMPLIANCE

### ASTM F2100 LEVEL 1

(3rd party test report available upon request)

Standard specification for performance of materials used in face masks compliant to ASTM F2100 Level 1

BFE % ASTM F2101 (3.0 micron filtration)	PFE % ASTM F2299 (0.1 micron filtration)	ASTM F1862 Synthetic Blood	Differential Pressure, ΔP for breathability	Flammability 16 CFR Part 1610
≥95	≥95	Pass at 80 mmHg	<5.0 mmH <sub>2</sub> O/cm <sup>2</sup>	Class 1 (≥ 3.5 seconds)