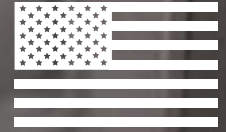


MADE  
in the  
USA



FEI: 3012659791



# MEDICAL

# ASTM F2100 LEVEL 1, 2, and 3 FACE MASKS

In recent months, the United States has seen an urgent and unprecedented need for safe, effective, and certified Personal Protective Equipment (“PPE”).

To meet this need, has expanded our facility to include a 15,000sq/ft GMP manufacturing hall dedicated entirely to the production of high quality, USA made, ASTM F2100 certified face masks.

## COMPLIANCE

**ASTM F2100 LEVEL 1, 2, and 3**  
(3rd party test report available upon request)

Standard specification for performance of materials used in face masks compliant to ASTM F2100 Level 1, 2, and 3

	BFE % ASTM F2101 (3.0 micron filtration)	PFE % ASTM F2299 (0.1 micron filtration)	ASTM F1862 Synthetic Blood	Differential Pressure, ΔP for breathability	Flammability 16 CFR Part 1610
<b>LEVEL 1</b>	≥95	≥95	Pass at 80 mmHg	<5.0 mmH <sub>2</sub> O/cm <sup>2</sup>	Class 1 (≥ 3.5 seconds)
<b>LEVEL 2</b>	≥98	≥98	Pass at 120 mmHg	<6.0 mmH <sub>2</sub> O/cm <sup>2</sup>	Class 1 (≥ 3.5 seconds)
<b>LEVEL 3</b>	≥98	≥98	Pass at 160 mmHg	<6.0 mmH <sub>2</sub> O/cm <sup>2</sup>	Class 1 (≥ 3.5 seconds)



# MEDICAL

**LEVEL  
1**

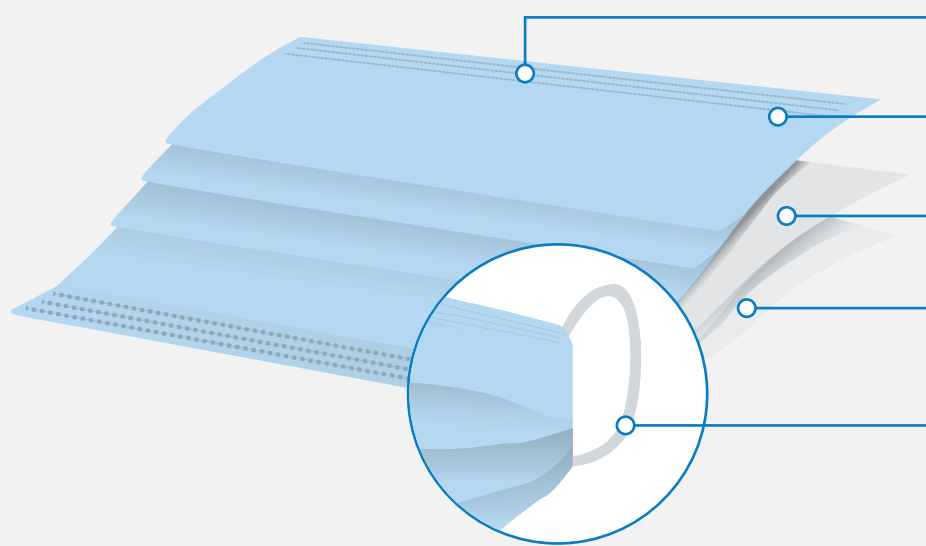


## PHYSICAL CONFIGURATION AND DESCRIPTION



- 3 layers of media combined with nose piece and two earloops
- Packed 50 masks per box (Box dimensions: 7.5" x 4" x 3.5")
- 12 boxes per master case
- Mask Dimension: 175mm x 95mm

## MATERIALS



### NOSE PIECE

Plastics coated, iron core for customizable fit

### BLUE SPUNBOND OUTER LAYER

for distinction and protection

### MELTBLOWN INNER LAYER

for optimal filtration and breathability

### WHITE SPUNBOND INNER LAYER

for softness and comfort

### EARLOOPS

crafted from 70% polyester and 30% spandex material for comfort and versatility

## COMPLIANCE

### ASTM F2100 LEVEL 1

(3rd party test report available upon request)

Standard specification for performance of materials used in face masks compliant to ASTM F2100 Level 1

BFE % ASTM F2101 (3.0 micron filtration)	PFE % ASTM F2299 (0.1 micron filtration)	ASTM F1862 Synthetic Blood	Differential Pressure, ΔP for breathability	Flammability 16 CFR Part 1610
≥95	≥95	Pass at 80 mmHg	<5.0 mmH <sub>2</sub> O/cm <sup>2</sup>	Class 1 (≥ 3.5 seconds)

LEVEL  
2

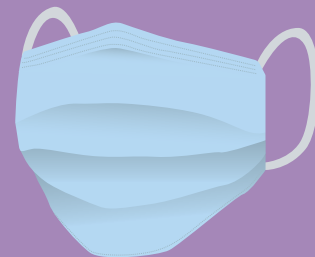


# MEDICAL

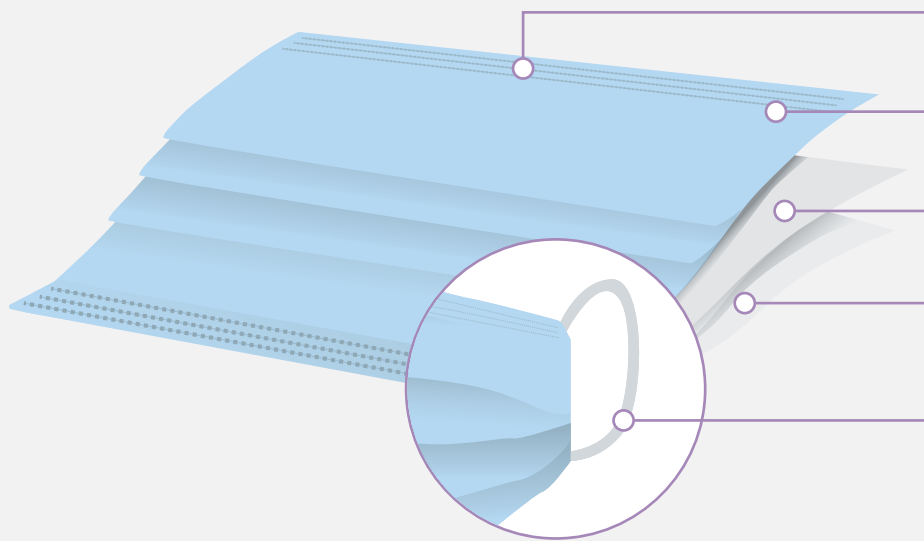


## PHYSICAL CONFIGURATION AND DESCRIPTION

- 3 layers of media combined with nose piece and two earloops
- Packed 50 masks per box (Box dimensions: 7.5" x 4" x 3.5")
- 12 boxes per master case
- Mask Dimension: 175mm x 95mm



## MATERIALS



### NOSE PIECE

Plastics coated, iron core for customizable fit

### BLUE SPUNBOND OUTER LAYER

for distinction and protection

### MELTBLOWN INNER LAYER

for optimal filtration and breathability

### WHITE SPUNBOND INNER LAYER

for softness and comfort

### EARLOOPS

crafted from 70% polyester and 30% spandex material for comfort and versatility

## COMPLIANCE

### ASTM F2100 LEVEL 2

(3rd party test report available upon request)

Standard specification for performance of materials used in face masks compliant to ASTM F2100 Level 2

BFE % ASTM F2101 (3.0 micron filtration)	PFE % ASTM F2299 (0.1 micron filtration)	ASTM F1862 Synthetic Blood	Differential Pressure, ΔP for breathability	Flammability 16 CFR Part 1610
≥98	≥98	Pass at 120 mmHg	<6.0 mmH <sub>2</sub> O/cm <sup>2</sup>	Class 1 (≥ 3.5 seconds)



# MEDICAL

**LEVEL  
3**

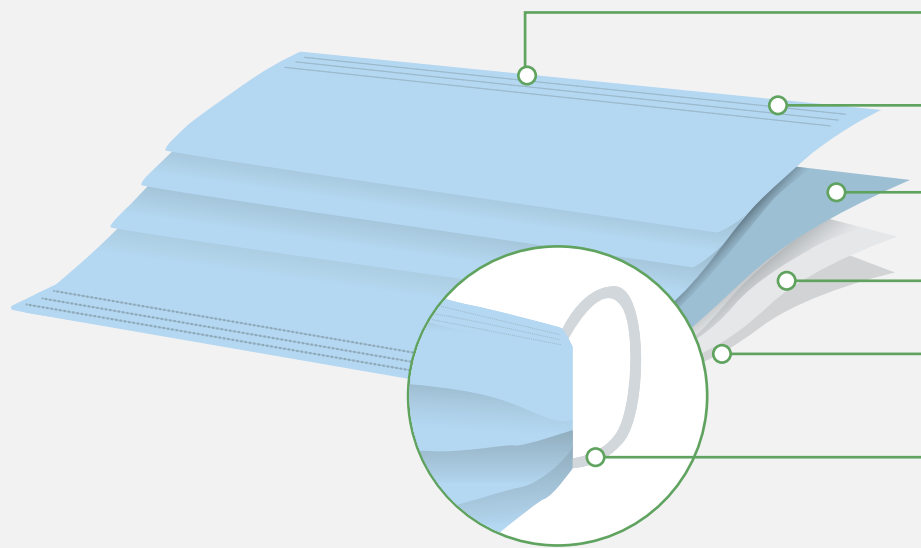


## PHYSICAL CONFIGURATION AND DESCRIPTION

- 4 layers of media combined with nose piece and two earloops
- Packed 50 masks per box (Box dimensions: 7.5" x 4" x 3.5")
- 12 boxes per master case
- Mask Dimension: 175mm x 95mm



## MATERIALS



### NOSE PIECE

Plastics coated, iron core for customizable fit

### BLUE SPUNBOND OUTER LAYER

for distinction and protection

### BLUE SPUNBOND INNER LAYER

provides additional fluid particulate barrier

### MELTBLOWN INNER LAYER

for optimal filtration and breathability

### WHITE SPUNBOND INNER LAYER

for softness and comfort

### EARLOOPS

crafted from 70% polyester and 30% spandex material for comfort and versatility

## COMPLIANCE

### ASTM F2100 LEVEL 3

(3rd party test report available upon request)

Standard specification for performance of materials used in face masks compliant to ASTM F2100 Level 3

BFE % ASTM F2101 (3.0 micron filtration)	PFE % ASTM F2299 (0.1 micron filtration)	ASTM F1862 Synthetic Blood	Differential Pressure, ΔP for breathability	Flammability 16 CFR Part 1610
≥98	≥98	Pass at 160 mmHg	<6.0 mmH <sub>2</sub> O/cm <sup>2</sup>	Class 1 (≥ 3.5 seconds)



### BRS MEDICAL ASTM 2100-19 Level 1

Product Description	Catalog Number	Color	Packaging
BRS Level 1 Procedure Face Mask	APS1004	Blue	50 masks/box 12 boxes/case
BRS Level 1 Surgical Face Mask	APS1035	Blue	50 masks/box 12 boxes/case
BRS Level 1 Isolation Face Mask	APS1059	Blue	50 masks/box 12 boxes/case
BRS Level 1 Dental Face Mask	APS1073	Blue	50 masks/box 12 boxes/case
BRS Level 1 Fluid Resistant Face Mask	APS1097	Blue	50 masks/box 12 boxes/case
BRS Level 1 Cleanroom Face Mask	APS1110	Blue	50 masks/box 12 boxes/case
BRS Level 1 Pharmaceutical Face Mask	APS1134	Blue	50 masks/box 12 boxes/case
BRS Level 1 Laboratory Face Mask	APS1158	Blue	50 masks/box 12 boxes/case
BRS Level 1 Laser Face Mask	APS1172	Blue	50 masks/box 12 boxes/case

### BRS MEDICAL ASTM 2100-19 Level 2

Product Description	Catalog Number	Color	Packaging
BRS Level 2 Procedure Face Mask	APS2196	Blue	50 masks/box 12 boxes/case
BRS Level 2 Surgical Face Mask	APS2219	Blue	50 masks/box 12 boxes/case
BRS Level 2 Isolation Face Mask	APS2233	Blue	50 masks/box 12 boxes/case
BRS Level 2 Dental Face Mask	APS2264	Blue	50 masks/box 12 boxes/case
BRS Level 2 Fluid Resistant Face Mask	APS2288	Blue	50 masks/box 12 boxes/case
BRS Level 2 Cleanroom Face Mask	APS2301	Blue	50 masks/box 12 boxes/case
BRS Level 2 Pharmaceutical Face Mask	APS2325	Blue	50 masks/box 12 boxes/case
BRS Level 2 Laboratory Face Mask	APS2349	Blue	50 masks/box 12 boxes/case
BRS Level 2 Laser Face Mask	APS2363	Blue	50 masks/box 12 boxes/case

### BRS MEDICAL ASTM 2100-19 Level 3

Product Description	Catalog Number	Color	Packaging
BRS Level 3 Procedure Face Mask	APS3394	Blue	50 masks/box 12 boxes/case
BRS Level 3 Surgical Face Mask	APS3417	Blue	50 masks/box 12 boxes/case
BRS Level 3 Isolation Face Mask	APS3431	Blue	50 masks/box 12 boxes/case
BRS Level 3 Dental Face Mask	APS3455	Blue	50 masks/box 12 boxes/case
BRS Level 3 Fluid Resistant Face Mask	APS3479	Blue	50 masks/box 12 boxes/case
BRS Level 3 Cleanroom Face Mask	APS3493	Blue	50 masks/box 12 boxes/case
BRS Level 3 Pharmaceutical Face Mask	APS3530	Blue	50 masks/box 12 boxes/case
BRS Level 3 Laboratory Face Mask	APS3523	Blue	50 masks/box 12 boxes/case
BRS Level 3 Laser Face Mask	APS3554	Blue	50 masks/box 12 boxes/case

**CONTACT US FOR  
MORE INFORMATION**

email  
[corporate@americanpatriotmasks.com](mailto:corporate@americanpatriotmasks.com)

web  
[www.americanpatriotmasks.com](http://www.americanpatriotmasks.com)

phone  
**1-800-844-8882**